

	DATE	07-05-10	SPECIFICATION	dBace Electronic Co., Ltd
	PAGE	1/5		www.dbace-buzzer.com.tw
<i>MODEL NAME: ET-1220P</i>				

SPECIFICATION FOR APPROVAL ELECTRO-MAGNETIC SOUNDER

Model Name	ET-1220P
Note	

CUSTOMER	
Customer name / Stamp / Sign / Date	DRAWN: 许海
	CHECKED: 李小芬
	APPROVED: 宋雪琪

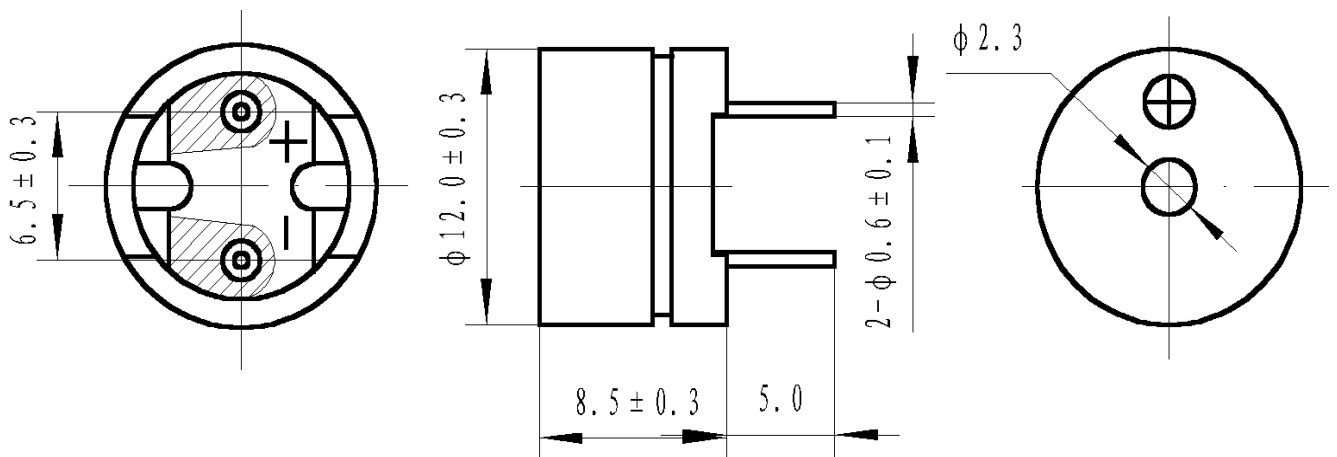
ELECTRO-MAGNETIC SOUNDER

1	Rated Voltage (V)	1.5
2	Operating Voltage (V)	1~2
3	Resonant Frequency (Hz)	2048
4	Coil Resistance (Ω)	16 ± 3
5	*Sound Output at 10cm (dB)	≥ 90
6	*Current Consumption (mA)	≤ 40
7	Operating Temperature ($^{\circ}\text{C}$)	-20~+70
8	Storage Temperature ($^{\circ}\text{C}$)	-30~+80
9	Weight (g)	1.3

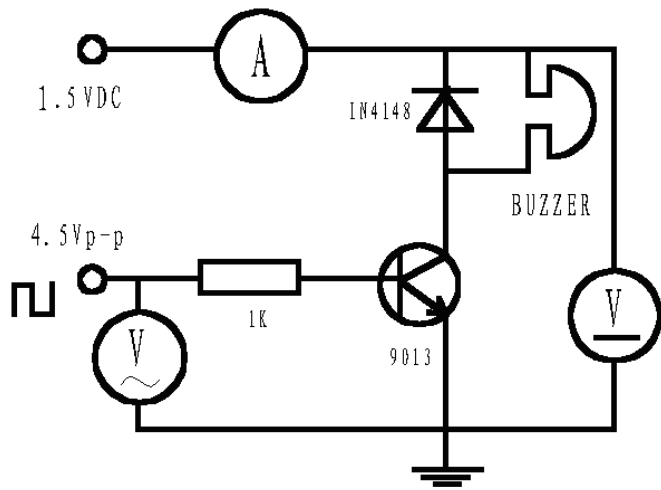
*Applying rated voltage (Resonant frequency, 1/2 duty, Square wave)

DIMENSIONS (UNIT: mm)

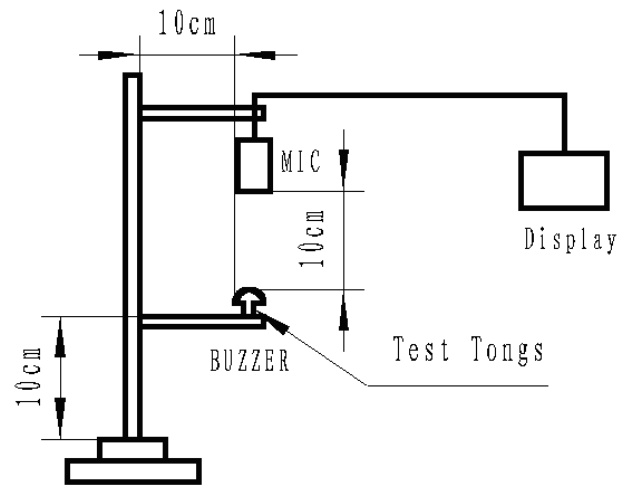
Tolerance: $\pm 0.5\text{mm}$ Except Specified



TEST METHOD:

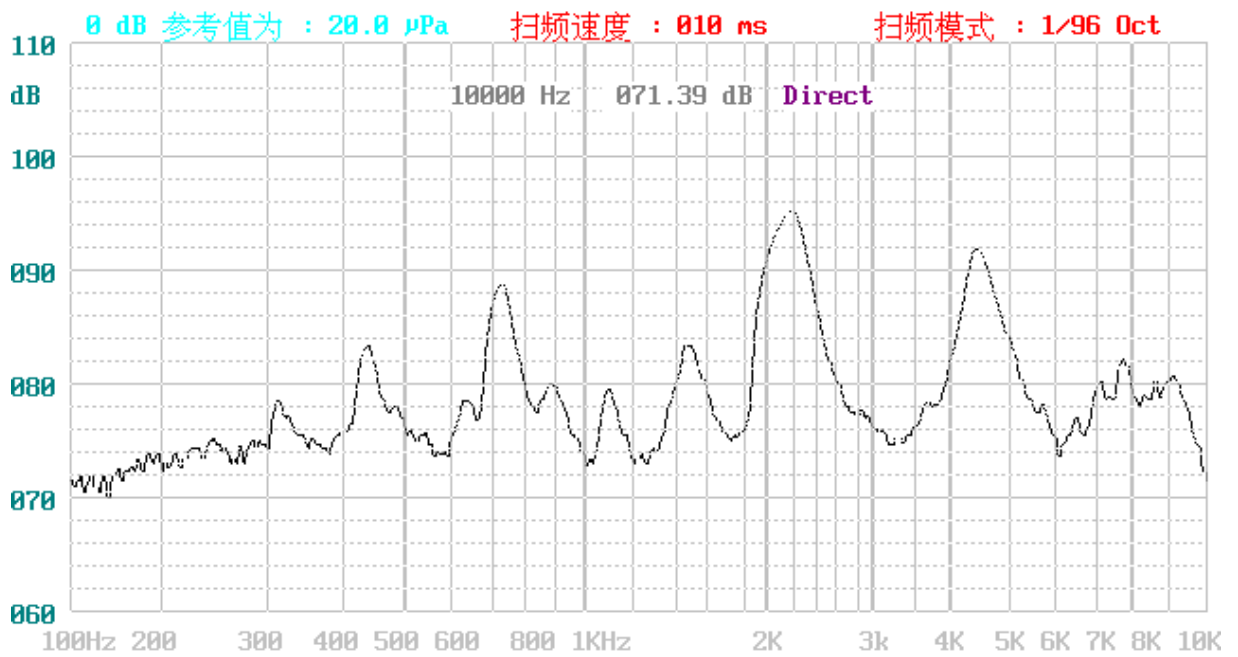


Test Circuit



Test Equipms

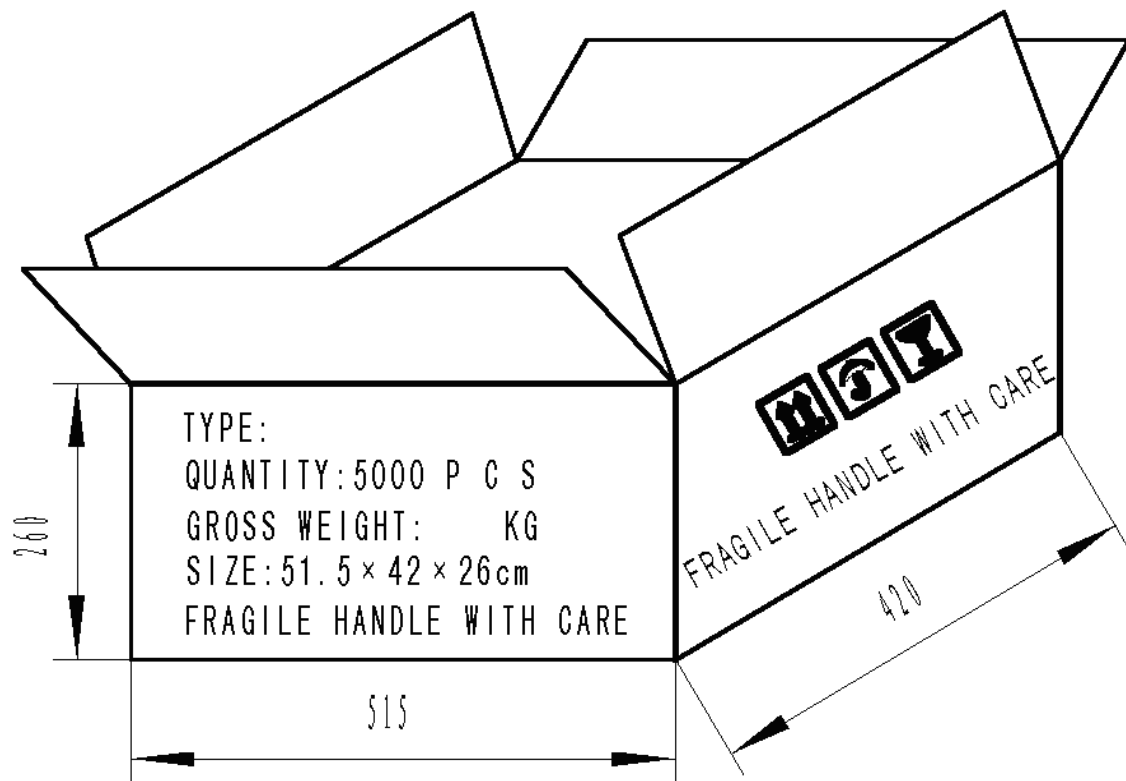
FREQUENCY RESPONSE:



RELIABLY TEST:

NO.	ITEM	TESTING CONDITION	VARIANCE AFTER TEST
1	Humidity	$40 \pm 5^{\circ}\text{C}$, 93(+2/-3)%RH, 96HRS	All specifications must be satisfied after the test.
2	High temp.	$+80 \pm 2^{\circ}\text{C}$, 96HRS	
3	Low temp.	$-30 \pm 2^{\circ}\text{C}$, 96HRS	
4	Temperature cycling	$-30 \pm 2^{\circ}\text{C}$, 30minutes room temp. 15 minutes $+80 \pm 2^{\circ}\text{C}$, 30 minutes room temp. 15 minutes 5 cycles	
5	Drop test	3 times from height of 70cm onto the surface of 10mm thick wooden board.	
6	Vibration test	Make the test for the directions of X Y and Z (total 0.5 hours). To-and-fro. sweep time (from 10 to 55 Hz and then 55 to 10) under single amplitude of 1.0mm is 1 minute.	
7	Solder heat resistance	The part leads (pins) shall be immersed in molten solder maintained at $250 \pm 10^{\circ}\text{C}$ for a period of 30 seconds.	After the test part shall meet specifications without any degradation in appearance and performance.

PACKING:



NOTES:

- 1.100 PCS per box
- 2.Total 50 boxes per carton
- 3.Total 5000 PCS carton
- 4.Volume:51.5 × 42 × 26cm

Changzhou Cre-sound Electronics Co., Ltd
Tel: +86-519-86323596; Fax: +86-519-6702455
E-mail: Louise@wj-lianhua.com